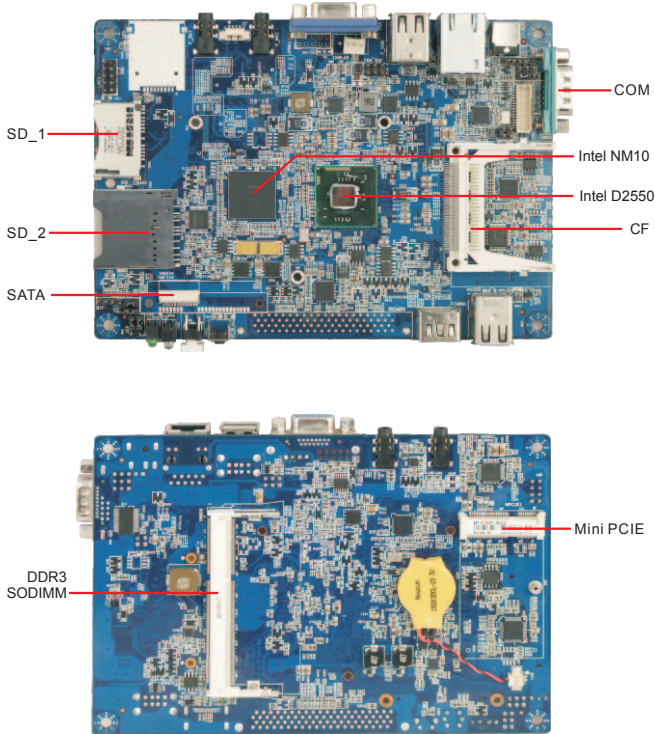


EPIC-IC2E1011

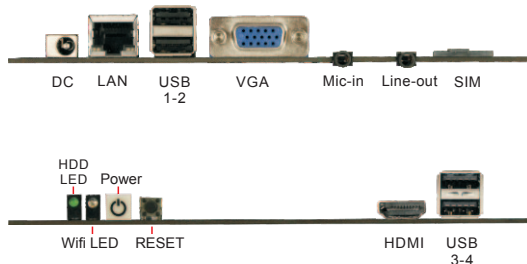
Intel® NM10 EPIC Industrial Motherboard

J&W IPC

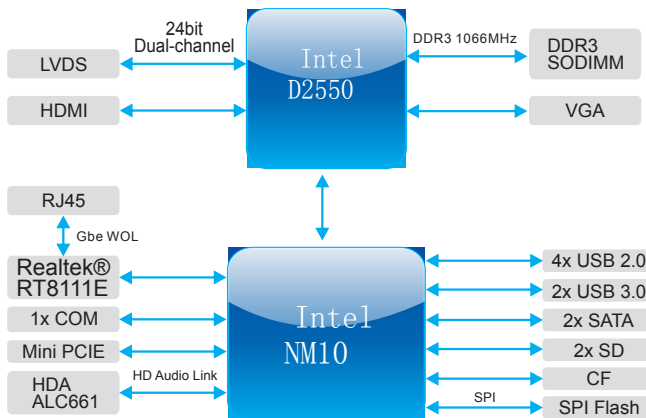
Detail Specification



Rear I/O



Block Diagram



Mechanical standard
 - EPIC Industrial Motherboard
 - 165mm x 115mm

Chipset
 - Intel® NM10

Processor
 - Intel ATOM™ Dual-Core D2550, 1.86GHz, 1MB

BIOS
 - AMI BIOS
 - 16M Bit SPI BIOS

Memory
 - 1x DDR3 800/1066MHz SO-DIMM ,
 Support 4GB MAX

Display
 - Intel SGX545
 - Display: HDMI/VGA/LVDS Dual display
 *1x HDMI(port), 1x VGA(port), 1x LVDS(pin)

LAN
 - 1xRealtek® RT8111E 1000M

Audio
 - Realtek® ALC661 HD Audio decoding controller
 - 4 Channel audio output
 *1x Line out, 1x MIC IN

COM
 - 1x COM(RS232/DB9)

USB
 - 4x USB 2.0/1.1

Storage
 - 1x SATA(Switch standard SATA through parallel cable)
 - 2x SD Cardreader
 - 1x CF Cardreader

Extension Socket
 - 1x Mini PCIE(WIFI and 3G and SSD switch through Jumper)
 - 1xSIM SLOT

Button
 - 1x Power Button (External)
 - 1x Reset Button (Internal)

LED
 - 1x Power LED (Red)
 - 1x HDD LED (Green)
 - 1xWifi LED(Blue)

Power Supply
 - 1xDC Jack (19V DC)

Working condition
 - Operation Temperature-10°-60°C
 - Operation Humidity 10%-90% Relative Humidity
 Non-Condensing.

Certificate
 - 3C,FCC,CE(Optional)

Accessories
 - Manual, Drive CD, Cable, SATA daughter board