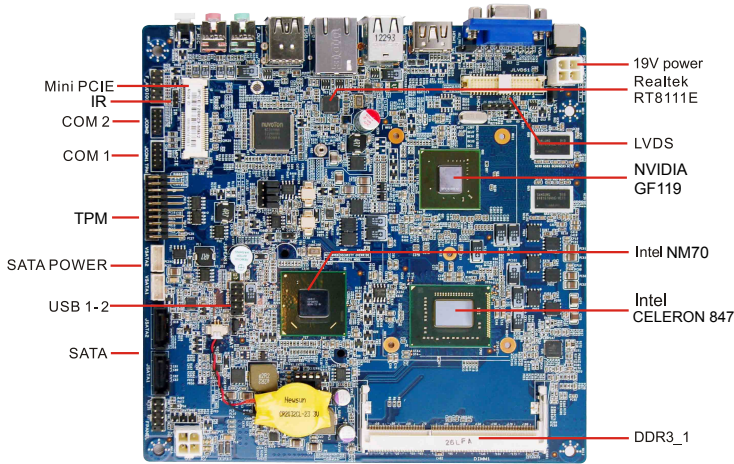


ITX-IB1MN712

Intel®NM70 Mini-ITX Industrial Motherboard



Detail Specification

Mechanical standard
 - Industrial Motherboard
 - 170mm (6.7") x 170mm (6.7")

Chipset
 - Intel®NM70

Processor
 - Intel® Celeron 847 2MB cache 1.10GHz

Bios
 - AMI BIOS
 - 32MBit SPI BIOS

Memory
 - 1x DDR3 1066/1333MHz DIMM
 - Support 8GB MAX

Graphics
 - Nvidia GF119 Graphics /1GB VRAM
 - Display:VGA/HDMI/LVDS(2channel/24bit)(Dual Display)

LAN
 - 1x Realtek® RTL8111E 1000M

Audio
 - Realtek ALC661 HD Audio Decoding controller
 - 2 Channel Audio output

COM
 - 2x COM(RS232/Pin header)

USB
 - 6x USB 2.0/1.1
 - 2x Pin interface/4x On-board interface

Storage
 - 2x SATAII Connector(3Gb/s)

Expansion Socket
 - 1x Mini PCIE for WIFI or SSD
 - TPM Pin interface

Keyboard/Mouse
 - Support USB Keyboard/Mouse

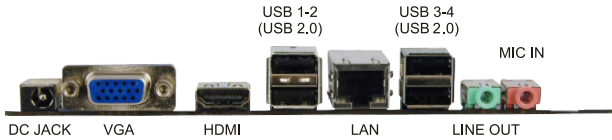
Power supply
 - 1x DC Jack
 - At least 19V/65W DC input

Working condition
 - Operation Temperature -10-60°C
 - Operation Humidity 10%-90% Relative Humidity,
 - Non-Condensing.

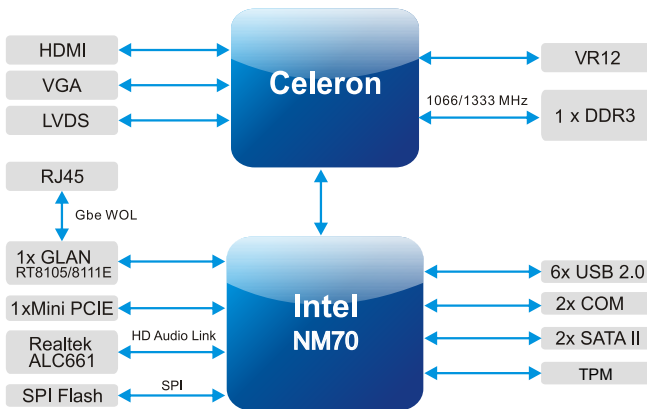
Certificate
 - 3C,FCC,CE(Optional)

Accessories
 - Manual, Drive CD, Cable, I/O shield

Rear I/O



Block Diagram



Mechanical Drawing

