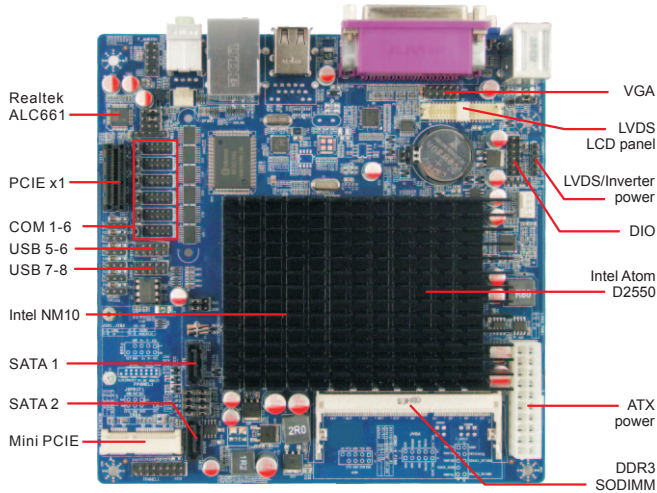


ITX-IC2M1016A

Intel® NM10 Mini-ITX Industrial Motherboard

J&W IPC



Detail Specification

Mechanical standard
 - Mini-ITX Industrial Motherboard
 - 170mm (6.7") x 170mm (6.7")

Chipset
 - Intel® NM10

Processor
 - Intel ATOM™ Dual-Core D2550, 1.86GHz, 1MB

BIOS
 - AMI BIOS
 - 16MBit SPI BIOS

Memory
 - 1x DDR3 800/1066MHz SO-DIMM
 Support 4GB MAX

Graphics
 - Intel SGX545
 - Display: VGA/HDMI Dual Display
 - Support LVDS(pin)
 - 1xVGA(pin)/1xVGA(port)
 - 1xHDMI(port)

LAN
 - 1x Realtek® RTL8111E 1000M

Audio
 - Realtek® ALC661 HD Audio Decoding controller
 - 4 Channel Audio output
 - Support On-board S/PDIF input/output

LPT
 - 1xLPT port

COM
 - 6x COM(RS232/Pin header)

USB
 - 8x USB 2.0/1.1
 * 4x Pin interface /4x On-board interface

Storage
 - 2x SATAII Connector(3Gb/s)
 * WIFI and SSD Switch through Jumper

Expansion socket
 - 1x Mini PCIE socket
 - 1x PCIE x1
 -8Bit

Keyboard/Mouse
 - PS/2 Keyboard/Mouse port

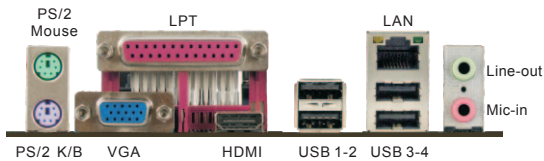
Power Supply
 - 1x20 pin ATX Power Connector

Working condition
 - Operation Temperature -10-60°C
 - Operation Humidity 10%-90% Relative Humidity,
 Non-Condensing.

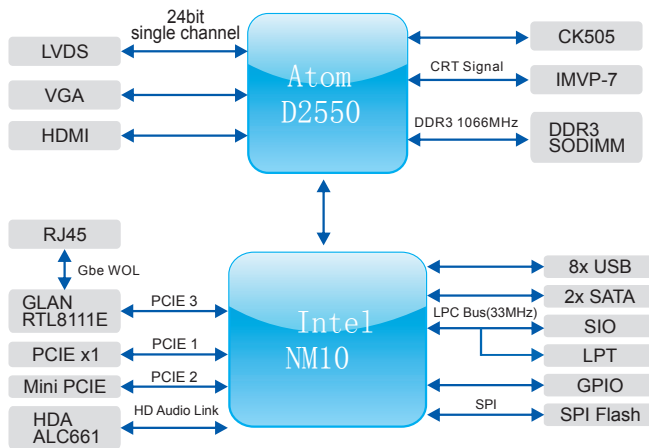
Certificate
 - 3C,FCC,CE(Optional)

Accessories
 - Manual, Driver CD, Cable, IO shield

Rear I/O



Block Diagram



Mechanical Drawing

