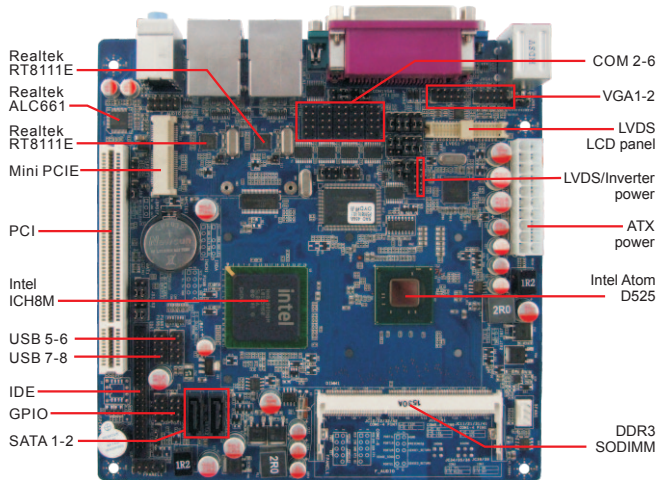


# ITX-IP5MI826A

Intel® ICH8M Mini-ITX Industrial Motherboard

# J&W IPC



## Detail Specification

**Mechanical standard**  
 - Industrial Mini-ITX Motherboard  
 - 170mm (6.7") x 170mm (6.7")

**Chipset**  
 - Intel® ICH8M

**Processor**  
 - Intel ATOM™ Dual-Core D525, 1.8GHz, 1MB

**Bios**  
 - AMI BIOS  
 - 16MBit SPI BIOS

**Memory**  
 - 1x DDR3 800/1066MHz SO-DIMM  
 Support 4GB MAX

**Graphics**  
 - Intel GMA3150  
 - Display:VGA/LVDS Dual Display  
 \* Support LVDS (pin)  
 \* 2xVGA(pin)/1xVGA(port)

**LAN**  
 -2x Realtek® RTL8111E 1000M

**Audio**  
 - Realtek® ALC661 HD Audio Decoding controller  
 - 4 Channel Audio output  
 - Support On-board S/PDIF input/output

**LPT**  
 - 1xLPT port

**COM**  
 - 1x COM(RS232/DB9)  
 - 5x COM(RS232/Pin header)

**USB**  
 - 8x USB 2.0/1.1  
 \* 4x Pin interface/4x On-board interface

**Storage**  
 - 2x SATAII Connector(3Gb/s)  
 - 1x 44Pin IDE Interface

**Expansion socket**  
 - 1x Mini PCIE  
 - 1x PCIE  
 -WIFI and SSD Switch through Jumper

**GPIO**  
 -8Bit

**Keyboard/Mouse**  
 - PS/2 Keyboard/Mouse port

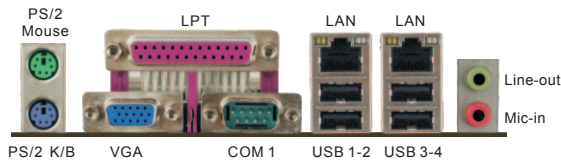
**Power Supply**  
 - 1x20 pin ATX Power Connector

**Working condition**  
 - Operation Temperature -10-60°C  
 - Operation Humidity 10%-90% Relative Humidity, Non-Condensing.

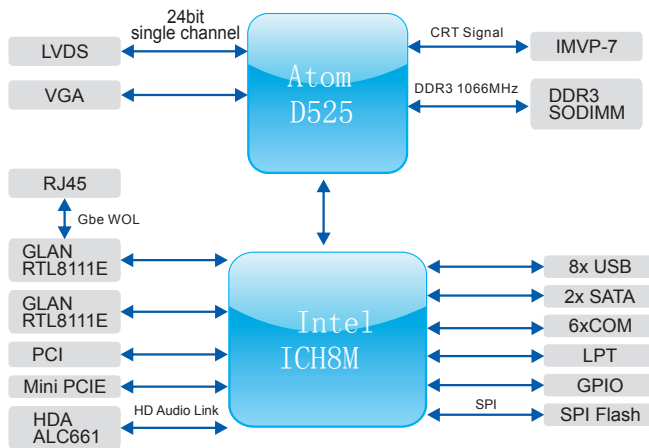
**Certificate**  
 - 3C,FCC,CE(Optional)

**Accessories**  
 - Manual, Drive CD, Cable, I/O shield

## Rear I/O



## Block Diagram



## Mechanical Drawing

