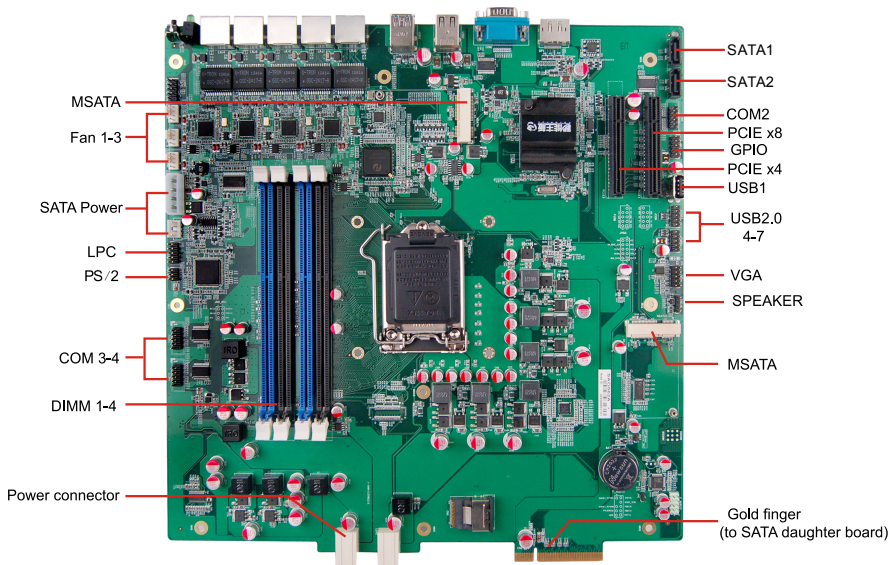


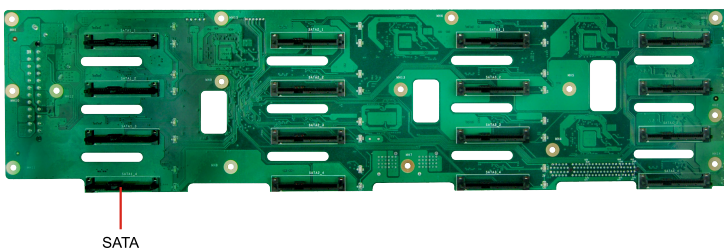
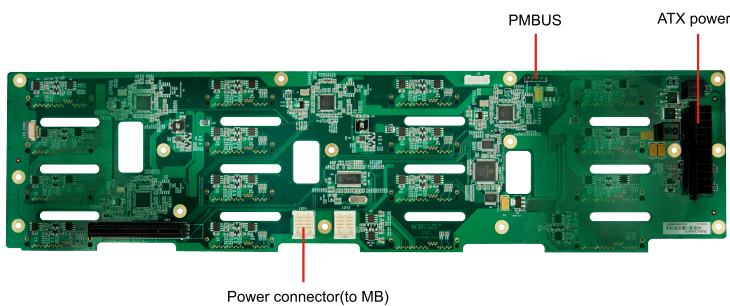
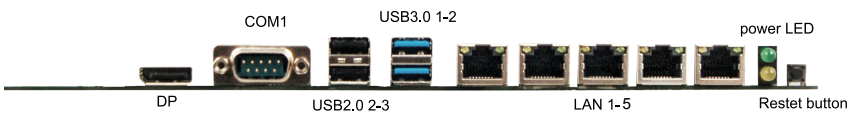
SPC-IVXSC254

Intel® Xeon Industrial server Motherboard

Detail Specification



Rear I/O



Mechanical standard

-305mm x 305 mm

Chipset

-Intel® C216

Processor

-Socket LGA1155
-Support Intel® Xeon CPU

BIOS

-AMI BIOS
-32M Bit SPI BIOS

Memory

-4 x DDR3 DIMM
-Up to 1600MHz, 32G, with ECC

Display

-1 x DP
-1 x VGA(Pin)

Lan

-5 x Intel 100/1000M Lan

Audio

-Realtek ALC662 HD audio codec
-5.1 channel audio output
-Line out/Mic in/Line in

COM

-1 x RS-232 (DB9)
-3 x RS-232 (Pin)

USB

-2 x USB3.0(Port)
-3 x USB2.0(Port)
-4 x USB2.0(Pin)

Storage

-2 x MSATA 3.0
-2 x SATA2.0
-16 x SATA(from SATA daughter board)
-1xSFF8087connector(Optional)

Expansion Interface

-1 x PCIE x4
-1 x PCIE x8
-1 x GPIO
-1 x PS/2
-2 x SATA Power connector
-3 x Fan connector
-1 x Front Audio(Pin)
-1 x Front Panel(Pin)
-1 x Speaker(Pin)
-1 x Reset button

LED

-1 x HDD LED(Green)
-1 x Power LED (Yellow)

Power Supply

-Daughter board Supply Power

Working condition

- Operation temperature:-20-70 C
- Operation humidity:10%-90% non-condensing

Certificate :

- CCC,FCC,CE(optional)

Accessories

Manual,Driver CD