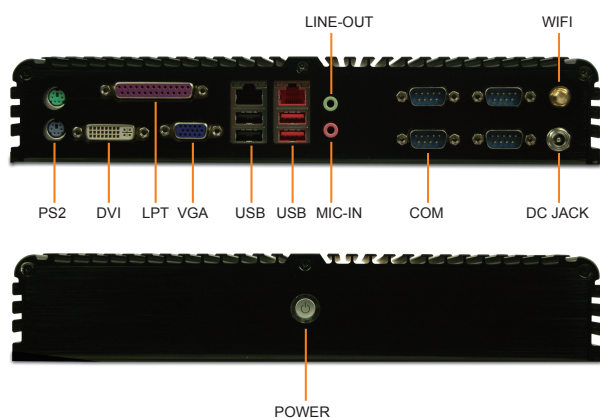




Rear I/O



Product Features

- Intel ATOM D2550 CPU NM10 Chipset
- 1 X DDR3 1066/1333MHz DIMM, up to 4GB
- Display: DVI + VGA
- 4 X COM (RS232)
- 1 X Half Mini PCIE For WIFI (802.11 b/g/n WIFI)
- 1 X Full Mini PCIE For SSD
- Support Windows XP/Windows 7/linux (optional)

Detail Specification

Product Line	Ultra low power
ID Color	Silvery
Material	Aluminum+Plastics
Platform	Processor: Intel® ATOM™ D2550 1.86GHz
Chipset	Intel ICH8M
GPU	Intel SGX545
Memory	2GB SO-DIMM DDR3
SATA	2.5" 5400rpm 320G
WIFI/3G	802.11 b/g/n
Front Panel	1XPS2, 1XDVI, 1XLPT, 1XVGA, 4XUSB2.0 2XLAN, 1XLINE-OUT, 1XMIC-IN 4XCOM, 1XWIFI, 1XDC JACK
Rear Panel	1XPOWER BUTTON
Ethernet	Intel SGX545
BIOS	AMI EFI
Thermal	Fanless
Form Factor	285(L)X200(W)X52(H)mm
Power Supply	DC 12V adapter
Accessory	Manual/CD/Adapter

Model	Processors
IPC-N1A2H	Intel® ATOM™ D2550 1.86GHz