

Detail Specification

Product Line	Ultra low power
ID Color	Black
Material	Iron+Plastics
Platform	Processor: Intel® Core™ i3-3220T 2.8GHz
Chipset	Intel B75
GPU	Intel SGX545
Memory	4GB SO-DIMM DDR3
SATA	2.5" 5400rpm 320G
WIFI/3G	802.11 b/g/n
Front Panel	1XDC JACK, 1XVGA, 1XHDMI, 4XUSB2.0, 1XLAN, 1XLINE-OUT, 1XMIC-IN, 1XPOWER BUTTON

Rear Panel
4XCOM, 1XHDMI+USB, 1XLAN

Ethernet
Intel SGX545

BIOS
AMI EFI

Thermal
Fan+Heatpipe

Form Factor
223(L)X184(W)X38(H)mm

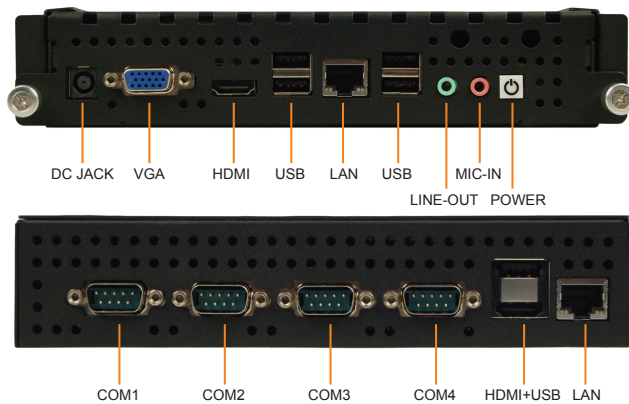
Power Supply
DC 19V adapter

Accessory
Manual/CD/Adapter

Model	Processors
JPS-B5H4H	Intel® Core™ i3-3220T 2.8GHz
JPS-B5D4H	Intel® Celeron™ G530T 2.0GHz
JPS-B5Q4H	Intel® Core™ i5-3470T 3.6GHz



Rear I/O



Product Features

- Intel Ivy Bridge Core/Celeron i3/i5 CPU B75 Chipset
- 2 X DDR3 1066/1333MHz DIMM, up to 16GB
- Display: HDMI + VGA
- 1 X Half Mini PCIE For WIFI (802.11 b/g/n WIFI)
- 1 X Full Mini PCIE For SSD
- Support Windows XP/Windows 7/linux (optional)