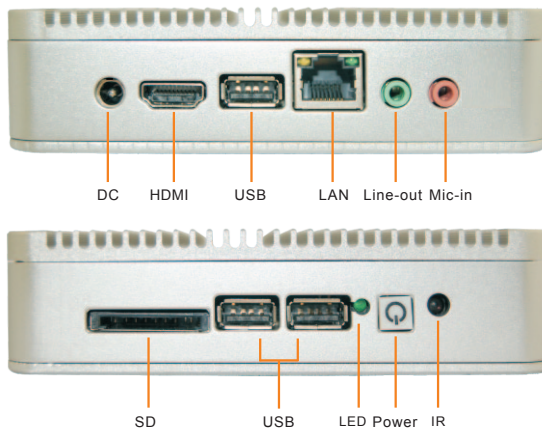




Detail Specification

Product Line	Ultra low power
ID Color	Silvery
Material	Aluminum+Plastics
Platform	Processor: Intel Cedarview N2800 2C/4T 1.86GHz Intel Cedarview N2600 1.6GHz
Chipset	Intel NM10
GPU	Intel SGX545
Memory	2GB SO-DIMM DDR3
SSD	32G SSD
WIFI/3G	N/A
Front Panel	2xUSB2.0, 1xPower Button, 1xIR Receiver, 1xHDD LED, 1xPower LED
Rear Panel	1xHDMI, 1xLine out, 1xMic-in, 1xUSB2.0, 1xRJ45, 1xDC in
Cardreader	1xSD/MMC/MS pro
Ethernet	Realtek8111E 1000M
BIOS	AMI EFI
Thermal	Fanless
Form Factor	135(L)x128(W)x34(H)mm
Power Supply	DC 12V adapter
Accessory	Manual/CD/AdapterBase(Optional)

Rear I/O



Product Features

- Intel ATOM Cedar trail series CPU
- Nm10 chipset
- High definition audio
- High definition 1080P video
- DDR3 SO-DIMM memory, up to 4GB
- SD/MMC/MS/MSpro card
- SSD up to 128GB
- Support IR
- 802.11b/g/n WIFI
- Multi OS and Watch dog monitor function
- 135(L)x128(W)x34(H)mm

Model	Processors
S002-AP6I62C10	Intel® Atom™ N2800 1.86GHz
S002-AP6I42C10	Intel® Atom™ D2550 1.86GHz
S002-AP6I52C10	Intel® Atom™ N2600 1.60GHz