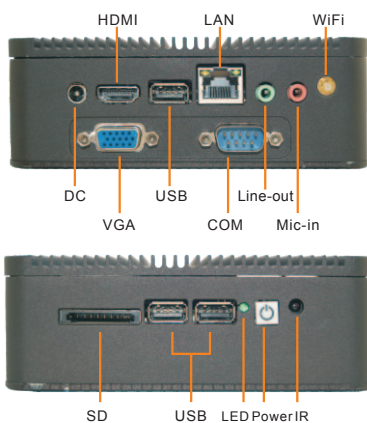




## Detail Specification

Product Line	Ultra low power
ID Color	Black
Material	Aluminum+Plastics
Platform	Processor: Intel Cedarview D2550 2C/4T 1.86GHZ
Chipset	Intel NM10
GPU	Intel SGX545
Memory	2GB SO-DIMM DDR3
SATA	2.5"5400rpm 320G
WIFI/3G	802.11 b/g/n
Front Panel	2xUSB2.0,1xPower Button,1xIR Receiver, 1xHDD LED,1xSD
Rear Panel	1xHDMI,1xLine out,1xMic-in,1xUSB2.0, 1xRJ45,1xDC in,1xAntenna,1xRS232, 1xVGA,1xWIFI,1xCOM
Cardreader	1xSD/MMC/MS pro
Ethernet	Realtek8111E 1000M
BIOS	AMI EFI
Thermal	Fanless
Form Factor	135(L)x128(W)x46(H)mm
Power Supply	DC 12V adapter
Accessory	Manual/CD/Adapter

### Rear I/O



### Product Features

- Intel ATOM Cedar trail series CPU
- Nm10 chipset
- High definition audio
- High definition 1080P video
- DDR3 SO-DIMM memory, up to 4GB
- SD/MMC/MS/MSpro card
- HDD capacity up to 1TB
- COM/VGA/IR
- 802.11b/g/n WIFI
- Multi OS and Watch dog monitor function
- 135(L)x128(W)x46(H)mm

Model	Processors
S003-AP1I62110	Intel® Atom™ N2800 1.86GHz
S003-AP1I42110	Intel® Atom™ D2550 1.86GHz
S003-AP1I52110	Intel® Atom™ N2600 1.60GHz