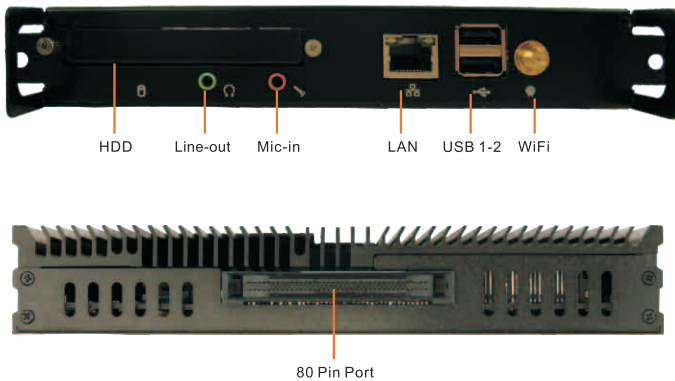


S004-AD1F4110

OPS Built-in controller



Rear I/O



Product Features

- Modular slot design, Easy to install and maintain
- Apply Intel OPS standard
- Intel® Core™ i3-2370M processors+HM65
- 4GB 1333MHZ SO-DIMM DDR3
- 2.5" 5400rpm 320GB
- 1XLAN; 802.11 b/g/n
- 2XUSB2.0,Line-out,Mic-in

Detail Specification

Product Line
Low power

Platform
Processor: Intel Core i3-2370M 2.4GHz

GPU
Build-in CPU

Ethernet
Realtek8111E 10/100/1000Mbps

Rear I/O
2xUSB2.0,1xLine out,1xMIC in
1xRJ45, 80 Pin Port

Memory
4GB 1333MHZ SO-DIMM DDR3

Storage Disk
2.5" 5400rpm 320G

WIFI/3G
802.11 b/g/n

Software
AMI EFI BIOS
Windows7, WindowsXP SP3/Embedded, Linux OS

Power Supply
AC input: 100-240V/50~60HZ
DC output: 12V/5A, 2.5mm/2PIN DC JACK

Accessory
Manual/CD/adapter

ID Color
Black

Material
Aluminum

Certification
Type name:M008Internal:CCCOuternal:CE, FCC

Temperature condition
Operating: 0~40°C, Storage:-40~80°C

Humidity condition
5%~95% Non-condensing

Quotation
Internal: Oversea:

Remark
MP

Model	Processors
S004-AD1IA4110	Intel® Celeron B810 1.60GHz
S004-AD1F4110	Intel® Core i3-2370M 2.4GHz
S004-AD1G4110	Intel® Core i5-2450M 3.1GHz