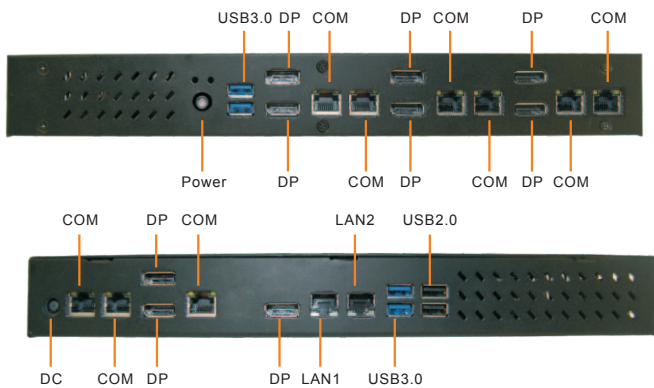
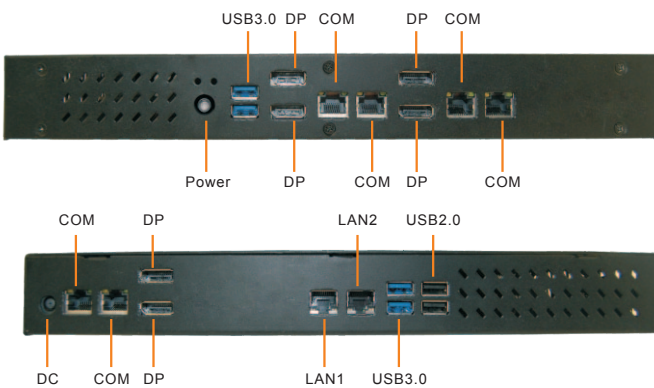




AP2A28311
Rear I/O



AP2A28310
Rear I/O



Product Features

- AMD Etrinity R464L + A70M chipset
- High definition audio
- 6/9 channel high definition 1080P video
- DDR3 SO-DIMM memory, up to 8GB
- USB3.0/DP
- Multi OS and Watch dog monitor function
- 333(L)x262(W)x40(H)mm

Detail Specification

Product Line	Scalable
ID Color	Black
Material	Aluminum+Plastics
Platform	Processor: AMD R464L
Chipset	AMD A70M
GPU	Radeon E6460/E6760
Memory	8GB SO-DIMM DDR3
SA TA	2.5"5400rpm 320G
WIFI/3G	N/A
Front Panel	2xUSB3.0, 1xPower Button, 6xDP, 6xRJ45(RS232)
Rear Panel	3xDP, 3xRJ45(RS232), 2xUSB2.0, 2xUSB3.0, 1xDC IN, 2xLAN
Ethernet	2xRTL8111E 1000M
BIOS	AMI EFI
Thermal	Fan+Heatpipe
Form Factor	333(L)x262(W)x40(H)mm
Power Supply	DC 19V adapter
Accessory	Manual/CD

Model	Processors
S006-AP2A28310	AMD R464L + Radeon E6460
S006-AP2A28311	AMD R464L + Radeon E6760