

22" LCD Open frame SAW Touch Monitor

(the Dust-proof Type with LIP1.6)

Rev2.0

Model: [KOT-0220US-SA6BP-LIP1.6](#)



Shenzhen K&JAD Technology Co., Ltd

www.keetouch.com

Dec. 2010

Keetouch's 22" LCD touch monitors have a long-lasting product cycle because the enclosure is controlled by Keetouch's specifications. Future panel improvements are therefore possible without external changes. The KOT-0220US-SA6BP-LIP1.6 integrate with the Keetouch's SAW technology touchscreen.

◆ Features

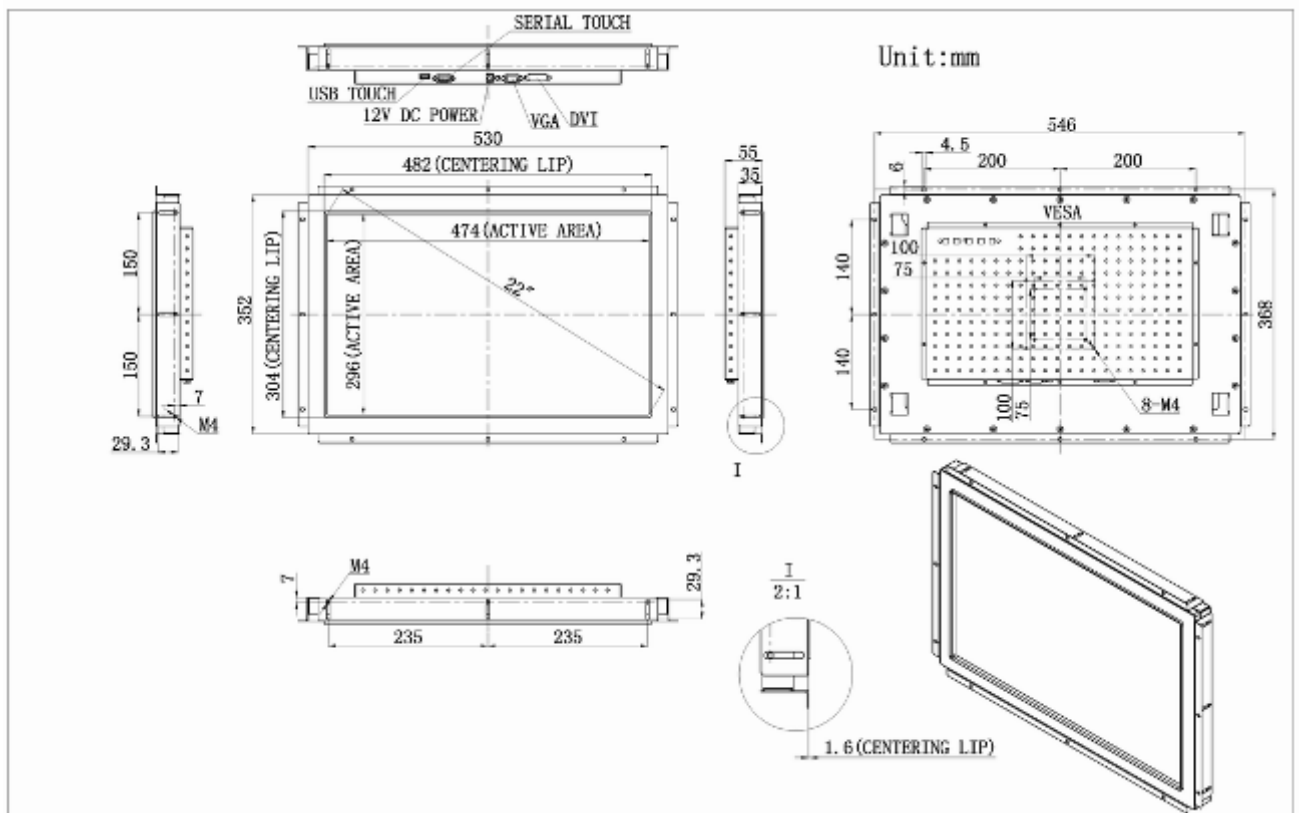
- Long lasting product cycle-enclosure controlled by Keetouch specifications
- Future generation panels phased-in without external changes
- High quality panel with high brightness, high contrast ratio and broad viewing angle
- Multiple mounting options including rear-mount ,VESA mount, horizontal or vertical bracket-mount
- Keetouch's SAW technology on pure glass for the ultimate in image quality
- Dual USB and RS232 touch interface
- Worldwide agency approvals

◆ Specification

Model No.	KOT-0220US-SA6BP-LIP1.6	
Series	OT	
Structure	Metal-cased Openframe and ABS Plastic Front Bezel with LIP1.6	
LCD Type	Active matrix TFT-LCD	
Display Size	22 " (diagonal)	
Active Area	473.8 mm × 296.1 mm	
Suggested Resolution	1680 x 1050 @ 60 Hz	
Support Colors	16.7M	
Brightness(Typ.)	Pure LCD Panel	300cd/m ²
	With SAW Glass Sensor	275cd/m ²
Response Time(Typ.)	5ms	
Viewing Angle (Typ.at CR>10)	Horizontal(left/right)	85°/85°
	Vertical(up/down)	80°/80°
Contrast Ratio(Typ.)	1000:1	
Video Input	1. Analog RGB 2. DVI	
Video Signal Input Connector	Mini D-Sub 15-pin VGA and DVI-D	
Frequency (H/V)	30~80KHz / 60~75Hz	
Power Supply	Type: External brick Input (line) voltage: 100-240 VAC, 50-60 Hz Output voltage/current: 12 volts at 4 amps max	
Environment	Operating Temp.	0~50°C
	Storage Temp.	-20~60°C
	Operating RH:	20%~80%

	Storage RH:	10%~90%
MTBF	50,000 Hours	
LCD Back light Life(Typ.)	50,000 Hours	
Weight (N.W/G.W)	8Kg /11Kg (Approx.)	
Power Consumption	75W Max.	
Mount Interface	1)VESA 75mm and 100mm 2)Mount bracket, horizontal or vertical (Standard mount brackets are supplied)	
OSD Control	Buttons	AUTO,+,POWER,-,MENU
	Function	Brightness, Contrast Ratio, Auto-adjust, Phase, Clock, H/V Location, Languages, Function, Reset
Touch screen Type	Keetouch 22" SAW 6MM thickness of touch screen sensor ,anti-glare is optional	
Touch System Interface	USB and RS232	
Certificates	ETL ,FCC,CE,RoHS	

◆ Mechanical Drawing



◆ Accessories

Power Cable: A North American power cable or an European power cable is included according to the end user's area.

Power Supply Brick: A power supply brick is included.

Touch/Video/DVI Cables: Detachable serial or USB touch cable, video cable and DVI cable are included

L-brackets: Four standard L-brackets are included.

✧ Typical Application

Gaming/Casino Systems
Outdoor and indoor Kiosks
Entertainment
Transport and Ticketing
Hospitality
Banking
Customised Solutions

◆ How to contact us

www.keetouch.com

*Add: 1-4th Floor, Building 9
Luck-King Science & Industry Park
Gongyedong Road, Longhua
Baoan, Shenzhen 518109, P.R.China*

Tel: +86-755-82599299

Fax: +86-755-82599968

Sales & Marketing: sales@keetouch.com

Technical Support: support@keetouch.com

