

32" LCD Open frame SAW Touch Monitor

(the Dust-proof Type)

Model: KOT-0320US-SA4BP

Keetouch's 32" LCD touch monitors have a long-lasting product cycle because the enclosure is controlled by Keetouch's specifications. Future panel improvements are therefore possible without external changes. The KOT-0320US-SA4BP integrate with the Keetouch's SAW technology touchscreen.



◆ Features

- Long lasting product cycle-enclosure controlled by Keetouch specifications
- Future generation panels phased-in without external changes
- High quality panel with high brightness, high contrast ratio and broad viewing angle
- Multiple mounting options including rear-mount , horizontal or vertical bracket-mount
- Keetouch's SAW technology on pure glass for the ultimate in image quality
- Dual USB and RS232 touch interface

◆ Typical Applications

- Gaming/Casino Systems
- Information Kiosks
- Entertainment
- Self Service
- Industrial

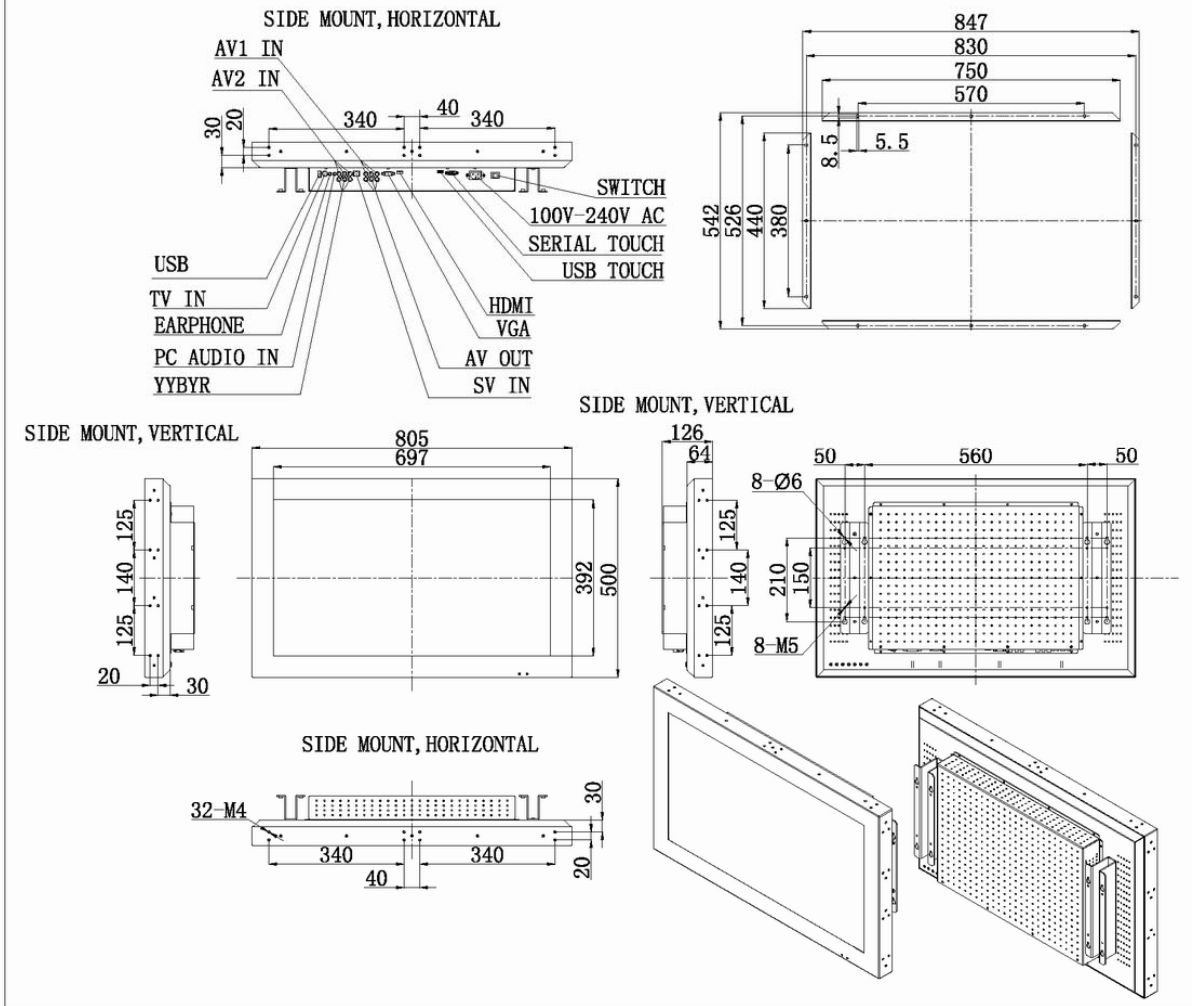
Shenzhen KeeTouch Electronic Co., Ltd.

www.keetouch.com

◆ Specification

Model No.	KOT-0320US-SA4BP	
Series	OT	
Structure	Metal-cased Openframe and Black metal Dust-proof Front Bezel	
LCD Type	Active matrix TFT-LCD	
Display Size	32 " (diagonal)	
Active Area	697.3 mm×392.5mm	
Suggested Resolution	1366×768	
Support Colors	16.7M	
Brightness(Typ.)	Pure LCD Panel	550cd/m ²
	With SAW Glass Sensor	495cd/m ²
Response Time(Typ.)	16ms	
Viewing Angle (Typ. at CR>10)	Horizontal(left/right)	85°/85°
	Vertical(up/down)	85°/85°
Contrast Ratio(Typ.)	800:1	
Video Input	1. Analog RGB 2. HDMI	
Video Signal Input Connector	Mini D-Sub 15-pin VGA and HDMI	
Frequency (H/V)	30~80KHz / 60~75Hz	
Power Supply	External: AC100-240V, 50-60 Hz	
Environment	Operating Temp.	0~50°C
	Storage Temp.	-20~60°C
	Operating RH:	20%~80%
	Storage RH:	10%~90%
MTBF	50,000 Hours	
LCD Back light Life(Typ.)	50,000 Hours	
Weight (N.W/G.W)	22Kg /28Kg (Approx.)	
Power Consumption	120W Max.	
Mount Interface	1) Rear-Mount 2)Mount bracket, horizontal or vertical	
OSD Control	Buttons	MENU,DOWN,UP,POWER,LEFT,RIGHT,INPUT
	Function	Brightness, Contrast Ratio, Auto-adjust, Phase, Clock, H/V Location, Languages, Function, Reset
Touch screen Type	Keetouch 32" SAW 4MM thickness of touch screen sensor	
Touch System Interface	USB and RS232	
Certificates	ETL, RoHS	

◆ Mechanical Drawing



◆ Accessories

Power Cable: A US, EU or UK power cable is included according to the end user's area.

Touch/Video/HDMI Cables: Detachable serial and USB touch cable, video cable and HDMI cable are included

L-brackets: Four standard L-brackets are included.

Software CD